



RUGGED INDUSTRIAL GRADE protection against the vagaries of voltage fluctuations on the input utility supply.

FEATURES

- **Automatic Voltage Regulation**
Step less automated voltage regulation - ideal for 95% of all applications.
- **Wide Range of Power Ratings**
Three Phase 500 to 3000 KVA
- **Broad Input Voltage Swing Ranges**
Input Swing - $\pm 10\%$ (S10), $\pm 15\%$ (S15), $\pm 20\%$ (S20), $\pm 25\%$ (S25) & $\pm 30\%$ (S30) - to specify.
- **High Efficiency**
Better than 97% for low running costs.
- **Precise Output Voltage Regulation**
Output Voltage Accuracy $\pm 1.5\%$
- **Transient Voltage Surge Suppression** TVSS - Protects loads against harmful high-energy surges, transients and spikes.
- **Independent Phase Balancing & Control**
Independent phase voltage sensing and control to ensure the individual phase voltages remain stable - regardless of load unbalance .
- **Inbuilt High Overload Capability**
Ideal for loads with an inherent initial high current draw on start up.



BRUSHLESS MAGNETIC INDUCTION DESIGN AC VOLTAGE STABILISERS & REGULATORS AC THREE PHASE - 500 TO 3000 kVA

IVSI

OIL IMMERSED DESIGN

MAXIMUM RELIABILITY FOR THE TOUGHEST OF APPLICATIONS

Designed for maximum reliability, making them ideal the toughest of applications, IVSI Brushless AC Automatic Voltage Stabilisers & Regulators enhance power quality, providing industrial - grade voltage regulation and power protection.

Typical Applications include -

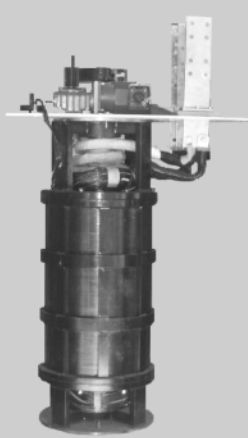
- **Office Complexes & Buildings**
Building or whole floor voltage protection of computer and communication systems, elevators and lifts, lighting and environmental cooling/heating systems.
- **Manufacturing Plants & Production Processes**
Building or whole production line protection of industrial automation control, CNC and other heavy duty manufacturing load equipment. Ideal for applications in the Pharmaceutical, Petrochemical, Food Processing, Mining and Paper Mill industries.
- **Broadcasting**
Protection for TV, Radio and Communication transmitter sites and studios.
- **Medical Establishments & Equipment**
Building or floor wide protection of critical medical equipment and systems, including X-Ray, CAT Scan and MRI machines.

Where backup power is deemed unnecessary, or is derived from other sources, IVSI AC Voltage Stabilisers and Regulators deliver, for industrial and commercial buildings and their applications, a practical, efficient and cost effective solution to the power quality issues of Voltage Regulation and Power Protection.

- **Lightning Surge Protection**
Protection against extremely high voltage surges and transients caused by lightning strikes on the supply line.
- **Over / Low Voltage Alarm**
Audible alarm in the event of the input supply voltage going outside the input voltage window.
- **Phase Failure & Reversal Alarm**
Audible alarm in the event of phase failure or reversal.
- **Voltage & Current Metering**
Analogue metering of output voltage and loading with phase selector switches.
- **Remote Operational Status Monitoring**
No Volt Contacts delivering basic operational system status information for use by remote monitoring / building management systems.
- **Optional Main Switchboard (MSB)**
Floor Standing Main Switchboard with Input & Output Circuit Breakers, Manual Maintenance Bypass and Metering.
- **Compliance with International Standards**
Designed, manufactured and supplied to comply with leading international standards.
- **Warranty**
2 Years / 24 Months as Standard.

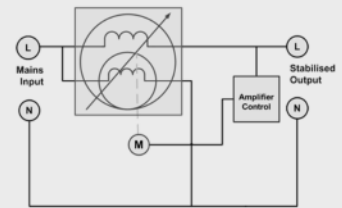
ADVANCED ROBUST BRUSHLESS DESIGN TOPOLOGY

IVSI Oil Immersed Voltage Stabilisers utilize Magnetic Induction Brushless Technology to deliver highly reliable and virtually maintenance free voltage stabilisation and protection. The oil immersion of the stabiliser considerably enhances the system's cooling efficiencies and as a result delivers, in terms of physical size, a highly compact solution – especially when compared to alternative air-cooled models.



As standard, all IVSI Voltage Stabilisers offer independent phase balancing and control ensuring that each phase voltage remains stable, irrespective of load unbalance – even for situations where a 100% load unbalance may exist.

As a Magnetic Induction based solution, IVSI stabilisers utilise a simple, yet highly reliable, rotor and stator design principle to increase or reduce the magnitude of the voltage in a series transformer winding, thereby delivering and maintaining a constant output voltage. The arrangement is similar to a motor, except that the rotor does not rotate continuously.



Its maximum rotation is only 130 degrees. The magnetic coupling between the rotor (the shunt winding) and stator (series winding) will cause the magnitude of the voltage in the series winding to increase or decrease, depending on the angle or position of the rotor to the stator. For example, when the input voltage drops, the rotor will rotate clockwise to such an angle to make up for the drop in voltage, rotating anti-clockwise to correct for a high voltage.

VOLTAGE CHOICES AVAILABLE - H SERIES

4 WIRE SOLUTIONS THREE PHASE WITH NEUTRAL (4 WIRE SYSTEMS)

H SERIES

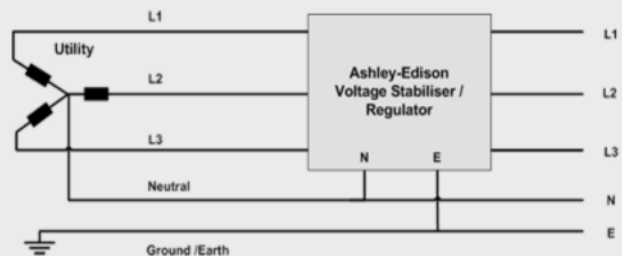
500 to 3000 kVA

High Voltage Models:

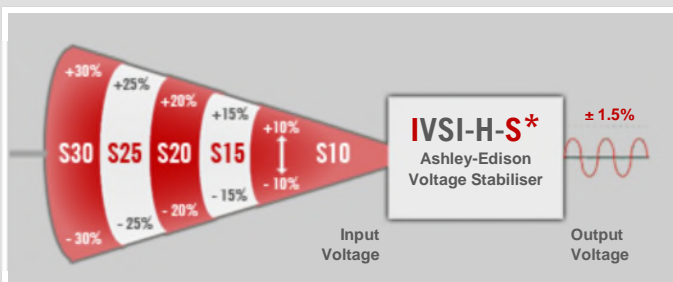
380/220V, 400/230V or 415/240V.

(440/254V or 480V/277V to Special Order)

Other voltages available on individual request / quotation.



INPUT VOLTAGE WINDOW OPTIONS - H SERIES



In situations where there is a reasonably good mains supply, a Stabiliser offering an input variation swing of $\pm 10\%$ (S10 Models) will usually be more than acceptable, but in more remote locations, or countries where the national supply infrastructure is less developed, variations of $\pm 15\%$ or greater may be needed to be accommodated by the Stabiliser.

Please Note – These Stabilisers are not designed to support / protect voltage “back feed” applications, where energy is required to be also fed back into the utility supply.

H SERIES - Three Phase Input Voltage Windows & Output Accuracy

Nominal Three Phase Voltage	Output Voltage Accuracy \pm % of Nominal	INPUT VOLTAGE SWINGS / SWING MODEL NO VARIANTS					
		Reading	S10 ($\pm 10\%$)	S15 ($\pm 15\%$)	S20 ($\pm 20\%$)	S25 ($\pm 25\%$)	S30 ($\pm 30\%$)
			500 to 3000 kVA	500 to 3000 kVA	500 to 3000 kVA	500 to 2500 kVA	500 to 2500 kVA
380V (L-N 220V)	$\pm 1.5\%$	Line to Line	342v to 418v	323v to 437v	304v to 456v	285v to 475v	266v to 494v
		Line to Neutral	198v to 242v	187v to 253v	176v to 264v	165v to 275v	154v to 286v
400V (L-N 230V)	$\pm 1.5\%$	Line to Line	360v to 440v	340v to 460v	320v to 480v	300v to 500v	280v to 520v
		Line to Neutral	207v to 253v	196v to 265v	184v to 276v	173v to 288v	161v to 299v
415V (L-N 240V)	$\pm 1.5\%$	Line to Line	374v to 457v	353v to 477v	332v to 498v	311v to 519v	291v to 540v
		Line to Neutral	216v to 264v	204v to 276v	192v to 288v	180v to 300v	168v to 312v

TECHNICAL SPECIFICATION

Technology:	Magnetic Induction Design - Brushless Oil Immersed																								
Input Voltage Swing Variant Options Available: (S*)	<table border="1"> <tr> <th>Model / Accuracy</th> <th>± 1.5%</th> <th>± 3%</th> <th>± 5%</th> </tr> <tr> <td>S10</td> <td>± 10%</td> <td>-12% +13%</td> <td>-14% +16%</td> </tr> <tr> <td>S15</td> <td>± 15%</td> <td>-17% +18%</td> <td>-19% +21%</td> </tr> <tr> <td>S20</td> <td>-± 20%</td> <td>-22% +23%</td> <td>-24% +26%</td> </tr> <tr> <td>S25</td> <td>-± 25%</td> <td>-27% +28%</td> <td>-29% +31%</td> </tr> <tr> <td>S30</td> <td>-± 30%</td> <td>-32% +33%</td> <td>-34% +36%</td> </tr> </table> <p>Three Phase, 4 Wire (3 Phase + Neutral). Other swing options available to special quotation / order.</p>	Model / Accuracy	± 1.5%	± 3%	± 5%	S10	± 10%	-12% +13%	-14% +16%	S15	± 15%	-17% +18%	-19% +21%	S20	-± 20%	-22% +23%	-24% +26%	S25	-± 25%	-27% +28%	-29% +31%	S30	-± 30%	-32% +33%	-34% +36%
Model / Accuracy	± 1.5%	± 3%	± 5%																						
S10	± 10%	-12% +13%	-14% +16%																						
S15	± 15%	-17% +18%	-19% +21%																						
S20	-± 20%	-22% +23%	-24% +26%																						
S25	-± 25%	-27% +28%	-29% +31%																						
S30	-± 30%	-32% +33%	-34% +36%																						
Output Voltage:	<p>Presettable for any voltage between 380/220V, 400/230V, or 415/240V - <i>Customer to Specify</i>, Three Phase, 4 Wire. (3 Phase + Neutral)</p> <p>440/254V & 480/277V models available to special order.</p> <p>The permissible input voltage swing is relative to the preset output voltage.</p>																								
Output Voltage Accuracy:	± 1.5%, ± 3% or ± 5 % - <i>auto selection based on input voltage swing.</i>																								
Frequency:	47 - 65Hz																								
Response Time:	<1.5ms																								
Correction Time:	A 10% supply variation will be corrected to within 2.5% in typically 0.6 to 1 second - <i>dependent on the selected permissible input voltage swing and system rating.</i>																								
Efficiency:	≥ 97%																								
Power Factor:	Any lagging to 0.95 leading																								
Surge Ratings:	10 x max. current rating for 2 seconds 3 x max. current rating for 1 minute 2 x max. current rating for 2 minutes																								

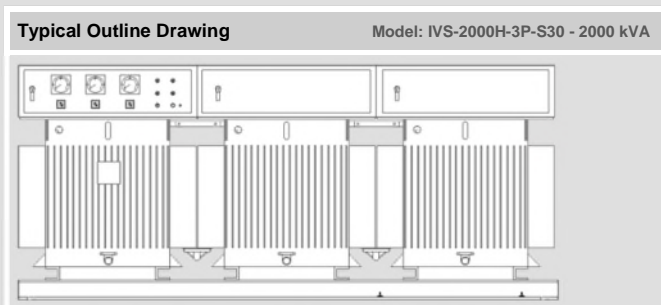
Surge Suppression:	TVSS - Protects loads against high-energy Spikes and Transient Voltages.
Total Harmonic Distortion:	Less than 1%
Independent Phase Control:	Maintains each phase voltage stable irrespective of load unbalance, even up to 100% load unbalance.
Environment:	Temperature range -15 to 45 °C. Derate by 2% for each additional °C Up to max 60 °C . Suitable for indoor tropical use 95% RH (non-condensing). Maximum altitude 1000m. Derate by 2.5% for each additional 500m.
Insulation Oil:	Uninhibited Transformer Oil conforming to BS EN 60296 (2004).
Construction:	Enclosures to IP20 (NEMA 1 Style) - BS EN 60529.
Paint Colour:	RAL 7032 (Grey - Epoxy Powder Coating)
EMC Conformance:	Complies with BS EN 55022 and the relevant parts of the BS EN 61000 series of standards.
CE Conformity:	CE Marked - being fully compliant with European Union Directives 2004/108/EC (The EMC Directive) and 2006/95/EC (The Low Voltage Directive).
Standard Warranty:	Two Years / 24 Months from date of supply
Standard Features:	Loss of Phase & Phase Reversal Alarms Over Temperature Alarm Over Voltage & Low Voltage Alarms Voltmeter / Selector Switch Ammeter / Selector Switch No-Volt Free Contacts (N.C & N.O) Lightning Surge Arrestors Oil Pressure Safety Release Valve Supplied Oil Filled
Optional Main System Switch Board (MSB):	System Switch Board with - Input Circuit Breaker, Output Circuit Breaker, Manual Maintenance Bypass Switch & Metering & Interlocking Protection

(3 Pole as standard with 4 Pole option)

PRODUCT SELECTION TABLE

Model	Rating kVA	Max Rating (Amps per Phase)			Dimensions & Weights
		@ 380V	@ 400V	@ 415V	
IVSI-500H-3P-S*	500	759	721	695	Dimensions & Weights available on Request - according to the S* Swing Model Variant required.
IVSI-750H-3P-S*	750	1139	1082	1043	
IVSI-1000H-3P-S*	1000	1518	1443	1390	
IVSI-1250H-3P-S*	1250	1898	1803	1738	
IVSI-1500H-3P-S*	1500	2278	2164	2086	
IVSI-2000H-3P-S*	2000	3037	2885	2781	
IVSI-2500H-3P-S*	2500	3797	3607	3447	
IVSI-3000H-3P-S*	3000	4556	4328	4172	

Note: Alternative voltage options available to order / individual request.



Copyright 2012 © Ashley-Edison (UK) reserve the right to change any or all the specifications indicated or implied without prior notice. E&EO.

Model - IVSI-1500H-3P-S15 - 1500 kVA



Optional - Main Switch Board with Bypass

TECHNICAL SPECIFICATION

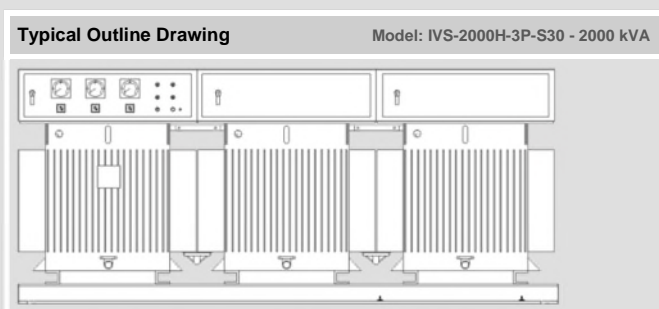
Technology:	Magnetic Induction Design - Brushless Oil Immersed
Input Voltage Swing :	±10% (or -12% +13% or -14% +16%) Three Phase, 4 Wire (3P+Neutral)
Output Voltage:	Presetable for any voltage between 380/220V, 400/230V, or 415/240V - <i>Customer to Specify</i> , Three Phase, 4 Wire. (3 Phase + Neutral) 440/254V & 480/277V models available to special order. The permissible input voltage swing is relative to the preset output voltage.
Output Voltage Accuracy:	± 1.5%, ± 3% or ± 5 % - <i>auto selection based on input voltage swing.</i>
Frequency:	47 - 65Hz
Response Time:	<1.5ms
Correction Time:	A 10% supply variation will be corrected to within 2.5% in typically 0.6 to 1 second - <i>dependent on the selected permissible input voltage swing and system rating.</i>
Efficiency:	≥ 97%
Power Factor:	Any lagging to 0.95 leading
Surge Ratings:	10 x max. current rating for 2 seconds 3 x max. current rating for 1 minute 2 x max. current rating for 2 minutes
Surge Suppression:	TVSS - Protects loads against high-energy Spikes and Transient Voltages.
Total Harmonic Distortion:	Less than 1%

Independent Phase Control:	Maintains each phase voltage stable irrespective of load unbalance, even up to 100% load unbalance.
Environment:	Temperature range -15 to 45 °C. Derate by 2% for each additional °C Up to max 60 °C . Suitable for indoor tropical use 95% RH (non-condensing). Maximum altitude 1000m. Derate by 2.5% for each additional 500m.
Insulation Oil:	Uninhibited Transformer Oil conforming to BS EN 60296 (2004).
Construction:	Enclosures to IP20 (NEMA 1 Style) - BS EN 60529.
Paint Colour:	RAL 7032 (Grey - Epoxy Powder Coating)
EMC Conformance:	Complies with BS EN 55022 and the relevant parts of the BS EN 61000 series of standards.
CE Conformity:	CE Marked - being fully compliant with European Union Directives 2004/108/EC (The EMC Directive) and 2006/95/EC (The Low Voltage Directive).
Standard Warranty:	Two Years / 24 Months from date of supply
Standard Features:	Loss of Phase & Phase Reversal Alarms Over Temperature Alarm Over Voltage & Low Voltage Alarms Voltmeter / Selector Switch Ammeter / Selector Switch No-Volt Free Contacts (N.C & N.O) Lightning Surge Arrestors Oil Pressure Safety Release Valve Supplied Oil Filled
Optional Features:	Earth Fault Relay Alarm
Optional Main System Switch Board (MSB): <small>(3 Pole as standard with 4 Pole option)</small>	System Switch Board with - Input Circuit Breaker, Output Circuit Breaker, Manual Maintenance Bypass Switch & Metering & Interlocking Protection

S10 PRODUCT SELECTION TABLE

Model	Rating kVA	Max Rating (Amps per Phase)			Dimensions & Weights	
		@ 380V	@ 400V	@ 415V	W x H x D (mm)	KG
IVSI-500H-3P-S10	500	759	721	695	2575 x 1598 x 930	2200
IVSI-750H-3P-S10	750	1139	1082	1043	2575 x 1668 x 930	2700
IVSI-1000H-3P-S10	1000	1518	1443	1390	2575 x 1818 x 930	3000
IVSI-1250H-3P-S10	1250	1898	1803	1738	2575 x 1848 x 930	3450
IVSI-1500H-3P-S10	1500	2278	2164	2086	2875 x 1780 x 1180	4200
IVSI-2000H-3P-S10	2000	3037	2885	2781	2875 x 1900 x 1380	5320
IVSI-2500H-3P-S10	2500	3797	3607	3447	2875 x 1900 x 1460	6400
IVSI-3000H-3P-S10	3000	4556	4328	4172	2965 x 2006 x 1620	8380

Note: Alternative voltage options available to order / individual request.



Copyright 2012 © Ashley-Edison (UK) reserve the right to change any or all the specifications indicated or implied without prior notice. E&EO.



TECHNICAL SPECIFICATION

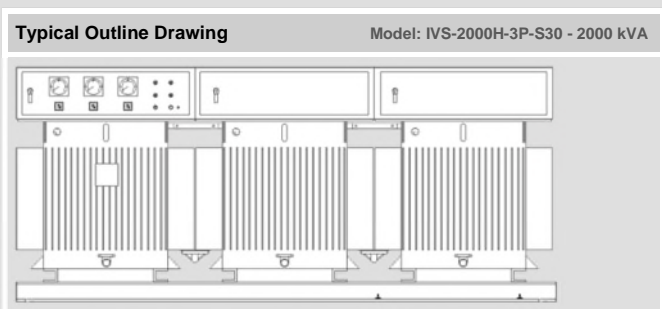
Technology:	Magnetic Induction Design - Brushless Oil Immersed
Input Voltage Swing :	±15% (or -17% +18% or -19% +21%) Three Phase, 4 Wire (3P+Neutral)
Output Voltage:	Presetable for any voltage between 380/220V, 400/230V, or 415/240V - <i>Customer to Specify</i> , Three Phase, 4 Wire. (3 Phase + Neutral) 440/254V & 480/277V models available to special order. The permissible input voltage swing is relative to the preset output voltage.
Output Voltage Accuracy:	± 1.5%, ± 3% or ± 5 % - <i>auto selection based on input voltage swing.</i>
Frequency:	47 - 65Hz
Response Time:	<1.5ms
Correction Time:	A 10% supply variation will be corrected to within 2.5% in typically 0.6 to 1 second - <i>dependent on the selected permissible input voltage swing and system rating.</i>
Efficiency:	≥ 97%
Power Factor:	Any lagging to 0.95 leading
Surge Ratings:	10 x max. current rating for 2 seconds 3 x max. current rating for 1 minute 2 x max. current rating for 2 minutes
Surge Suppression:	TVSS - Protects loads against high-energy Spikes and Transient Voltages.
Total Harmonic Distortion:	Less than 1%

Independent Phase Control:	Maintains each phase voltage stable irrespective of load unbalance, even up to 100% load unbalance.
Environment:	Temperature range -15 to 45 °C. Derate by 2% for each additional °C Up to max 60 °C . Suitable for indoor tropical use 95% RH (non-condensing). Maximum altitude 1000m. Derate by 2.5% for each additional 500m.
Insulation Oil:	Uninhibited Transformer Oil conforming to BS EN 60296 (2004).
Construction:	Enclosures to IP20 (NEMA 1 Style) - BS EN 60529.
Paint Colour:	RAL 7032 (Grey - Epoxy Powder Coating)
EMC Conformance:	Complies with BS EN 55022 and the relevant parts of the BS EN 61000 series of standards.
CE Conformity:	CE Marked - being fully compliant with European Union Directives 2004/108/EC (The EMC Directive) and 2006/95/EC (The Low Voltage Directive).
Standard Warranty:	Two Years / 24 Months from date of supply
Standard Features:	Loss of Phase & Phase Reversal Alarms Over Temperature Alarm Over Voltage & Low Voltage Alarms Voltmeter / Selector Switch Ammeter / Selector Switch No-Volt Free Contacts (N.C & N.O) Lightning Surge Arrestors Oil Pressure Safety Release Valve Supplied Oil Filled
Optional Features:	Earth Fault Relay Alarm
Optional Main System Switch Board (MSB):	System Switch Board with - Input Circuit Breaker, Output Circuit Breaker, Manual Maintenance Bypass Switch & Metering & Interlocking Protection <small>(3 Pole as standard with 4 Pole option)</small>

S15 PRODUCT SELECTION TABLE

Model	Rating kVA	Max Rating (Amps per Phase)			Dimensions & Weights	
		@ 380V	@ 400V	@ 415V	W x H x D (mm)	KG
IVSI-500H-3P-S15	500	759	721	695	2575 x 1598 x 930	2400
IVSI-750H-3P-S15	750	1139	1082	1043	2575 x 1818 x 930	3000
IVSI-1000H-3P-S15	1000	1518	1443	1390	2575 x 1848 x 930	3450
IVSI-1250H-3P-S15	1250	1898	1803	1738	2875 x 1780 x 1180	4200
IVSI-1500H-3P-S15	1500	2278	2164	2086	2875 x 1780 x 1320	4600
IVSI-2000H-3P-S15	2000	3037	2885	2781	2875 x 1900 x 1460	6400
IVSI-2500H-3P-S15	2500	3797	3607	3447	2965 x 1956 x 1620	7600
IVSI-3000H-3P-S15	3000	4556	4328	4172	2965 x 2006 x 1620	8820

Note: Alternative voltage options available to order / individual request.



Copyright 2012 © Ashley-Edison (UK) reserve the right to change any or all the specifications indicated or implied without prior notice. E&EO.



TECHNICAL SPECIFICATION

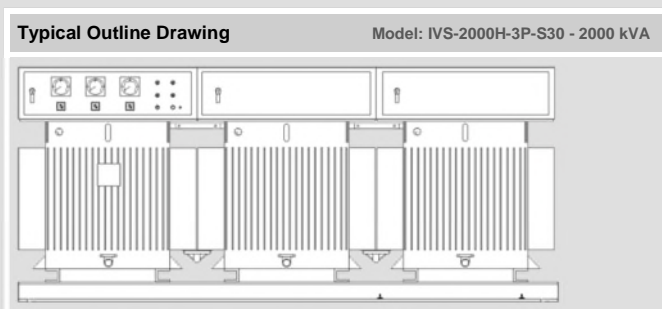
Technology:	Magnetic Induction Design - Brushless Oil Immersed
Input Voltage Swing :	±20% (or -22% +23% or -24% +26%) Three Phase, 4 Wire (3P+Neutral)
Output Voltage:	Presetable for any voltage between 380/220V, 400/230V, or 415/240V - <i>Customer to Specify</i> , Three Phase, 4 Wire. (3 Phase + Neutral) 440/254V & 480/277V models available to special order. The permissible input voltage swing is relative to the preset output voltage.
Output Voltage Accuracy:	± 1.5%, ± 3% or ± 5% - <i>auto selection based on input voltage swing.</i>
Frequency:	47 - 65Hz
Response Time:	<1.5ms
Correction Time:	A 10% supply variation will be corrected to within 2.5% in typically 0.6 to 1 second - <i>dependent on the selected permissible input voltage swing and system rating.</i>
Efficiency:	≥ 97%
Power Factor:	Any lagging to 0.95 leading
Surge Ratings:	10 x max. current rating for 2 seconds 3 x max. current rating for 1 minute 2 x max. current rating for 2 minutes
Surge Suppression:	TVSS - Protects loads against high-energy Spikes and Transient Voltages.
Total Harmonic Distortion:	Less than 1%

Independent Phase Control:	Maintains each phase voltage stable irrespective of load unbalance, even up to 100% load unbalance.
Environment:	Temperature range -15 to 45 °C. Derate by 2% for each additional °C Up to max 60 °C . Suitable for indoor tropical use 95% RH (non-condensing). Maximum altitude 1000m. Derate by 2.5% for each additional 500m.
Insulation Oil:	Uninhibited Transformer Oil conforming to BS EN 60296 (2004).
Construction:	Enclosures to IP20 (NEMA 1 Style) - BS EN 60529.
Paint Colour:	RAL 7032 (Grey - Epoxy Powder Coating)
EMC Conformance:	Complies with BS EN 55022 and the relevant parts of the BS EN 61000 series of standards.
CE Conformity:	CE Marked - being fully compliant with European Union Directives 2004/108/EC (The EMC Directive) and 2006/95/EC (The Low Voltage Directive).
Standard Warranty:	Two Years / 24 Months from date of supply
Standard Features:	Loss of Phase & Phase Reversal Alarms Over Temperature Alarm Over Voltage & Low Voltage Alarms Voltmeter / Selector Switch Ammeter / Selector Switch No-Volt Free Contacts (N.C & N.O) Lightning Surge Arrestors Oil Pressure Safety Release Valve Supplied Oil Filled
Optional Features:	Earth Fault Relay Alarm
Optional Main System Switch Board (MSB): <small>(3 Pole as standard with 4 Pole option)</small>	System Switch Board with - Input Circuit Breaker, Output Circuit Breaker, Manual Maintenance Bypass Switch & Metering & Interlocking Protection

S20 PRODUCT SELECTION TABLE

Model	Rating kVA	Max Rating (Amps per Phase)			Dimensions & Weights	
		@ 380V	@ 400V	@ 415V	W x H x D (mm)	KG
IVSI-500H-3P-S20	500	759	721	695	2575 x 1668 x 930	2700
IVSI-750H-3P-S20	750	1139	1082	1043	2575 x 1848 x 930	3450
IVSI-1000H-3P-S20	1000	1518	1443	1390	2875 x 1780 x 1180	4200
IVSI-1250H-3P-S20	1250	1898	1803	1738	2875 x 1780 x 1320	4600
IVSI-1500H-3P-S20	1500	2278	2164	2086	2875 x 1900 x 1380	5320
IVSI-2000H-3P-S20	2000	3037	2885	2781	2965 x 1956 x 1620	7600
IVSI-2500H-3P-S20	2500	3797	3607	3447	2965 x 2006 x 1620	8380
IVSI-3000H-3P-S20	3000	4556	4328	4172	2965 x 2150 x 1510	10000

Note: Alternative voltage options available to order / individual request.



Copyright 2012 © Ashley-Edison (UK) reserve the right to change any or all the specifications indicated or implied without prior notice. E&EO.



TECHNICAL SPECIFICATION

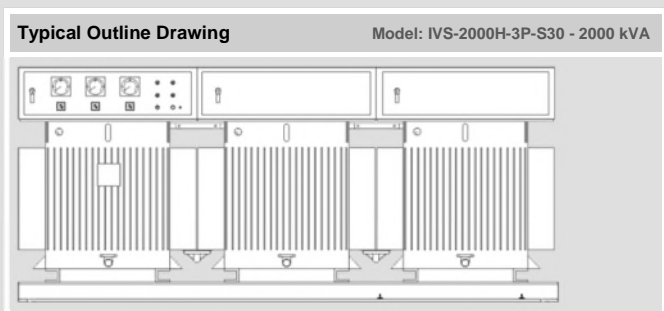
Technology:	Magnetic Induction Design - Brushless Oil Immersed
Input Voltage Swing :	±25% (or -27% +28% or -29% +31%) Three Phase, 4 Wire (3P+Neutral)
Output Voltage:	Presetable for any voltage between 380/220V, 400/230V, or 415/240V - <i>Customer to Specify</i> , Three Phase, 4 Wire. (3 Phase + Neutral) 440/254V & 480/277V models available to special order. The permissible input voltage swing is relative to the preset output voltage.
Output Voltage Accuracy:	± 1.5%, ± 3% or ± 5 % - <i>auto selection based on input voltage swing.</i>
Frequency:	47 - 65Hz
Response Time:	<1.5ms
Correction Time:	A 10% supply variation will be corrected to within 2.5% in typically 0.6 to 1 second - <i>dependent on the selected permissible input voltage swing and system rating.</i>
Efficiency:	≥ 97%
Power Factor:	Any lagging to 0.95 leading
Surge Ratings:	10 x max. current rating for 2 seconds 3 x max. current rating for 1 minute 2 x max. current rating for 2 minutes
Surge Suppression:	TVSS - Protects loads against high-energy Spikes and Transient Voltages.
Total Harmonic Distortion:	Less than 1%

Independent Phase Control:	Maintains each phase voltage stable irrespective of load unbalance, even up to 100% load unbalance.
Environment:	Temperature range -15 to 45 °C. Derate by 2% for each additional °C Up to max 60 °C . Suitable for indoor tropical use 95% RH (non-condensing). Maximum altitude 1000m. Derate by 2.5% for each additional 500m.
Insulation Oil:	Uninhibited Transformer Oil conforming to BS EN 60296 (2004).
Construction:	Enclosures to IP20 (NEMA 1 Style) - BS EN 60529.
Paint Colour:	RAL 7032 (Grey - Epoxy Powder Coating)
EMC Conformance:	Complies with BS EN 55022 and the relevant parts of the BS EN 61000 series of standards.
CE Conformity:	CE Marked - being fully compliant with European Union Directives 2004/108/EC (The EMC Directive) and 2006/95/EC (The Low Voltage Directive).
Standard Warranty:	Two Years / 24 Months from date of supply
Standard Features:	Loss of Phase & Phase Reversal Alarms Over Temperature Alarm Over Voltage & Low Voltage Alarms Voltmeter / Selector Switch Ammeter / Selector Switch No-Volt Free Contacts (N.C & N.O) Lightning Surge Arrestors Oil Pressure Safety Release Valve Supplied Oil Filled
Optional Features:	Earth Fault Relay Alarm
Optional Main System Switch Board (MSB):	System Switch Board with - Input Circuit Breaker, Output Circuit Breaker, Manual Maintenance Bypass Switch & Metering & Interlocking Protection <small>(3 Pole as standard with 4 Pole option)</small>

S25 PRODUCT SELECTION TABLE

Model	Rating kVA	Max Rating (Amps per Phase)			Dimensions & Weights	
		@ 380V	@ 400V	@ 415V	W x H x D (mm)	KG
IVSI-500H-3P-S25	500	759	721	695	2575 x 1818 x 930	3000
IVSI-750H-3P-S25	750	1139	1082	1043	2575 x 1870 x 1180	4200
IVSI-1000H-3P-S25	1000	1518	1443	1390	2875 x 1780 x 1320	4600
IVSI-1250H-3P-S25	1250	1898	1803	1738	2875 x 1900 x 1380	5320
IVSI-1500H-3P-S25	1500	2278	2164	2086	2875 x 1900 x 1460	6400
IVSI-2000H-3P-S25	2000	3037	2885	2781	2965 x 2006 x 1620	8380
IVSI-2500H-3P-S25	2500	3797	3607	3447	2965 x 2150 x 1510	10000

Note: Alternative voltage options available to order / individual request.



Copyright 2012 © Ashley-Edison (UK) reserve the right to change any or all the specifications indicated or implied without prior notice. E&EO.

TECHNICAL SPECIFICATION

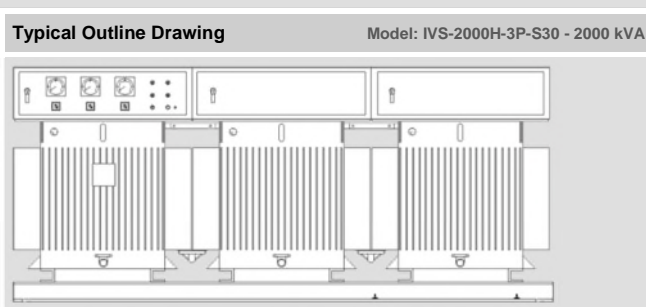
Technology:	Magnetic Induction Design - Brushless Oil Immersed
Input Voltage Swing :	±30% (or -32% +33% or -34% +36%) Three Phase, 4 Wire (3P+Neutral)
Output Voltage:	Presetable for any voltage between 380/220V, 400/230V, or 415/240V - <i>Customer to Specify</i> , Three Phase, 4 Wire. (3 Phase + Neutral) 440/254V & 480/277V models available to special order. The permissible input voltage swing is relative to the preset output voltage.
Output Voltage Accuracy:	± 1.5%, ± 3% or ± 5 % - <i>auto selection based on input voltage swing.</i>
Frequency:	47 - 65Hz
Response Time:	<1.5ms
Correction Time:	A 10% supply variation will be corrected to within 2.5% in typically 0.6 to 1 second - <i>dependent on the selected permissible input voltage swing and system rating.</i>
Efficiency:	≥ 97%
Power Factor:	Any lagging to 0.95 leading
Surge Ratings:	10 x max. current rating for 2 seconds 3 x max. current rating for 1 minute 2 x max. current rating for 2 minutes
Surge Suppression:	TVSS - Protects loads against high-energy Spikes and Transient Voltages.
Total Harmonic Distortion:	Less than 1%

Independent Phase Control:	Maintains each phase voltage stable irrespective of load unbalance, even up to 100% load unbalance.
Environment:	Temperature range -15 to 45 °C. Derate by 2% for each additional °C Up to max 60 °C . Suitable for indoor tropical use 95% RH (non-condensing). Maximum altitude 1000m. Derate by 2.5% for each additional 500m.
Insulation Oil:	Uninhibited Transformer Oil conforming to BS EN 60296 (2004).
Construction:	Enclosures to IP20 (NEMA 1 Style) - BS EN 60529.
Paint Colour:	RAL 7032 (Grey - Epoxy Powder Coating)
EMC Conformance:	Complies with BS EN 55022 and the relevant parts of the BS EN 61000 series of standards.
CE Conformity:	CE Marked - being fully compliant with European Union Directives 2004/108/EC (The EMC Directive) and 2006/95/EC (The Low Voltage Directive).
Standard Warranty:	Two Years / 24 Months from date of supply
Standard Features:	Loss of Phase & Phase Reversal Alarms Over Temperature Alarm Over Voltage & Low Voltage Alarms Voltmeter / Selector Switch Ammeter / Selector Switch No-Volt Free Contacts (N.C & N.O) Lightning Surge Arrestors Oil Pressure Safety Release Valve Supplied Oil Filled
Optional Features:	Earth Fault Relay Alarm
Optional Main System Switch Board (MSB): <small>(3 Pole as standard with 4 Pole option)</small>	System Switch Board with - Input Circuit Breaker, Output Circuit Breaker, Manual Maintenance Bypass Switch & Metering & Interlocking Protection

S30 PRODUCT SELECTION TABLE

Model	Rating kVA	Max Rating (Amps per Phase)			Dimensions & Weights	
		@ 380V	@ 400V	@ 415V	W x H x D (mm)	KG
IVSI-500H-3P-S30	500	759	721	695	2575 x 1848 x 930	3600
IVSI-750H-3P-S30	750	1139	1082	1043	2875 x 1780 x 1320	4800
IVSI-1000H-3P-S30	1000	1518	1443	1390	2875 x 1900 x 1380	5600
IVSI-1250H-3P-S30	1250	1898	1803	1738	2875 x 1900 x 1460	6400
IVSI-1500H-3P-S30	1500	2278	2164	2086	2965 x 1956 x 1620	7600
IVSI-2000H-3P-S30	2000	3037	2885	2781	2965 x 2150 x 1510	10000
IVSI-2500H-3P-S30	2500	3797	3607	3447	2965 x 2150 x 1510	10500

Note: Alternative voltage options available to order / individual request.



Copyright 2012 © Ashley-Edison (UK) reserve the right to change any or all the specifications indicated or implied without prior notice. E&EO.

